

6" ELBOWS

Cat. No
4503



L: 6"

Thread diameter: 3/4"



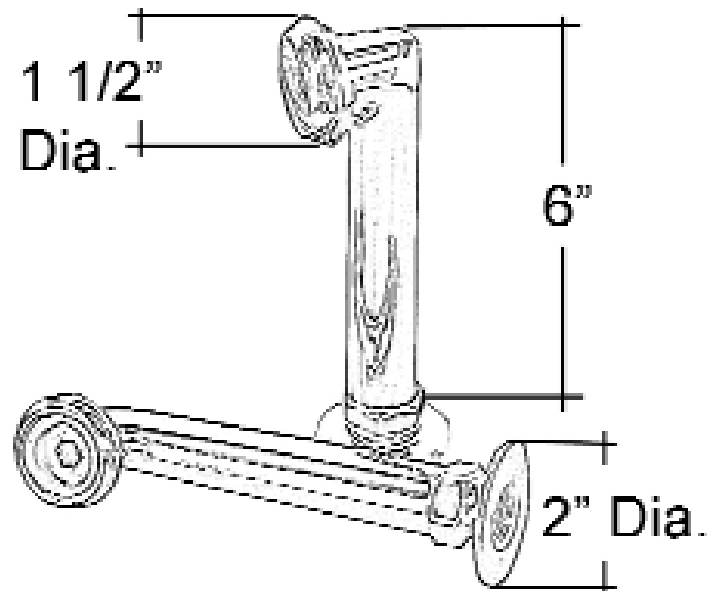
3/4" x 1/2" HARDWARE

Features:

- ▶ For rim mounted faucets
- ▶ Sold in pairs
- ▶ Available in 5 Finishes
- ▶ 3/4" x 1/2" **HARDWARE** included

Finishes:

- CP** Polished Chrome
- BP** Polished Brass
- SN** Brushed Nickel
- PN** Polished Nickel
- ORB** Oil Rubbed Bronze



Dimensions are nominal and may vary. Dimensions and specifications subject to change without notice.